

DirecTemp® USB Thermometer

DTU6028-002

Engineering Information:

- USB thermometer
- Operating temperature range: -40°C to 105°C
- #28 AWG leads
- Food-grade 316 stainless steel with machined plastic housing
- Data logging and alert notification software included
- Multiple sensors supported
- Measures in Fahrenheit, Celsius and Kelvin
- Use as a plug-and-play Windows device or with custom software
- NIST traceable certification available
- Able to be recalibrated by QTI
- RoHS-compliant



Applications:

- Food safety inspection
- Chemical inspection
- Thermometer replacement

Series Information:

The plastic-handled DTU6028-002 is perfect for inspecting and logging data with everything from food to chemicals in beakers. The probe features an ergonomic, non-slip handle and a 0.125" by 5" piercing probe made from food grade 316 stainless steel. 13' of coiled PVC cable help keep the DTU6028-002's cord out of your way.

DirecTemp® USB Thermometer Overview:

A high-precision thermistor is combined with a 14-bit analog to digital converter and a simple USB communication interface to capture real-time temperature data. The DirecTemp® device can communicate either as a Human Interface Device which auto installs to interface with the DirecTemp® data logging software, or as a virtual serial port with which custom or third party software may be used. DirecTemp® probes are calibrated in QTI's metrology laboratory and can be recalibrated and returned to service for extended life. The absolute accuracy and repeatable precision of the DirecTemp® USB temperature acquisition system will become invaluable to your most critical application.

- Up to 0.1°C absolute accuracy
- Up to 0.01 resolution*
- Choose probe style, cable length, and critical temperature point
- PC powered, no batteries
- Temperature range: -55°C to 150°C with proper probe selection
- RoHS Compliant

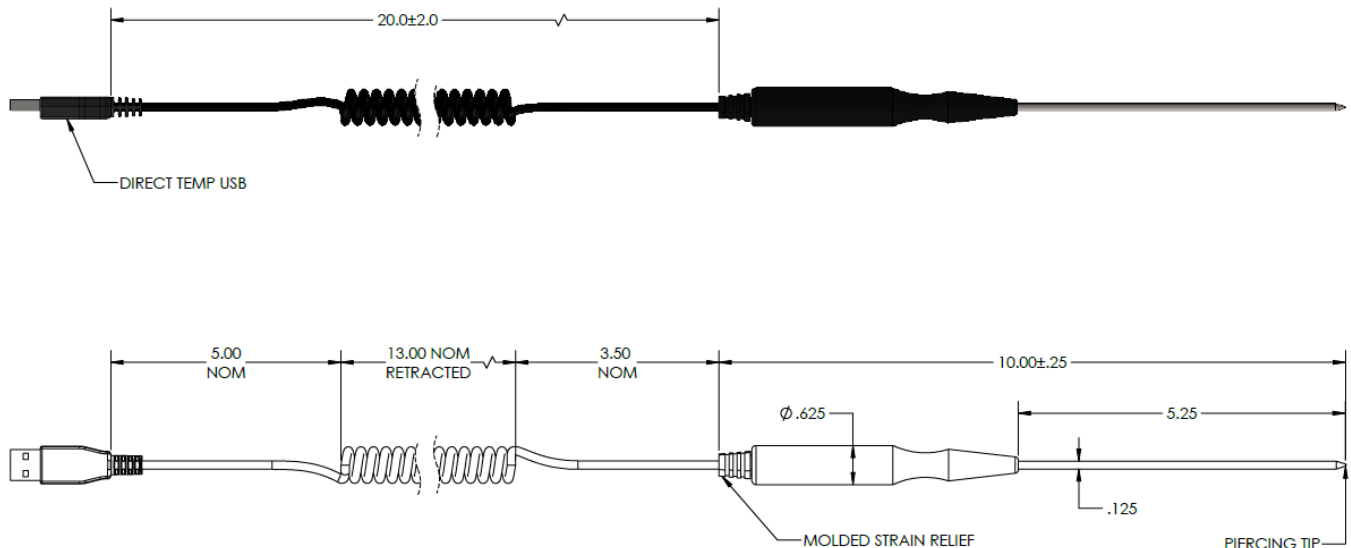
*User specified single point temperature and tolerances available.

Warning: Do not use in human life support applications.

This device is not designed nor intended to operate in situations where human injury will result in the event of a failure.

DirecTemp® USB Thermometer

DTU6028-002 Specifications



QTI Sensing Solutions

2108 Century Way Boise, Idaho 83709 USA

T: (208) 377-3373, 800-554-4784

F: (208) 376-4754

qtisales@ctscorp.com

www.qtisensing.com

QTI is the unparalleled leader in world-class temperature sensing technology with over 40 years of proven expertise for the most demanding customers in the world. We custom-engineer the industry's most reliable temperature sensors for mission-critical applications. As a true business partner, we deliver beyond the products we make as we relentlessly pursue excellence in everything we do.

Contact us to discuss your temperature sensing needs today.