



Series 225A

7.3x4.3x3.8mm Compact Tactile Switch

- Surface mount terminal configurations
- Compatible with IR reflow and manual soldering



Ordering Information

Series	Terminal Type	Actuating Direction	Actuator Height "L"	Actuator Force	Packaging	Travel	Ground Terminal
225A	J1	S	A	A	R	B	G

Code	Spec.
J1	Surface mount J bend type 1
J2	Surface mount J bend type 2

Code	Spec.
A	180 gf

Code	Spec.
G	With ground terminal

Code	Spec.
S	Side

Code	Spec.
A	2.4mm(Surface mount J bend type 1)
B	3.9mm(Surface mount J bend type 2)
C	4.25mm(Surface mount J bend type 2)

Code	Spec.
S	0.15mm
Blank	0.25mm

Code	Spec.
R	Tape & reel packaging

Notes: Contact CTS for other common features not listed.

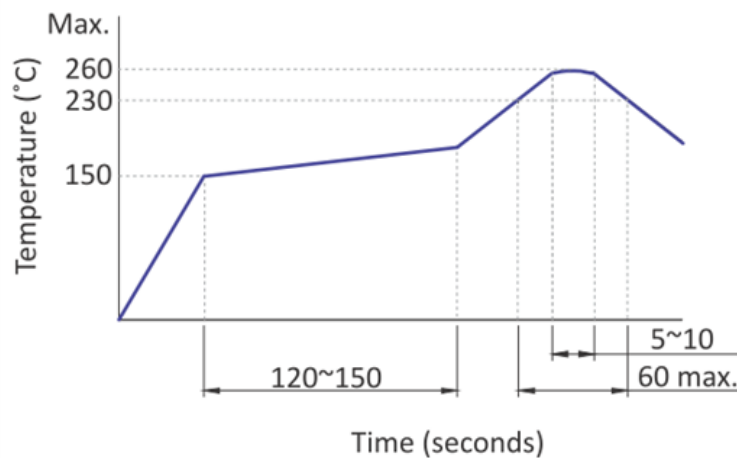
Electrical Specifications

Parameter	Conditions & Remarks	Min	Max	Unit
Contact Resistance			500	milliohms
Insulation Resistance	Between insulated terminals	100		Megohms
Dielectric Strength	1 minute between adjacent switches		250	VAC
Nonswitching Rating			50 or 12	mA or VDC

Mechanical and Environmental

Soldering	Maximum reflow temperature, 260°C for 5 seconds Maximum manual temperature, 350°C for 3 seconds
RoHS	Lead-Free. Fully compliant to RoHS Directive 2011/65/EU
Operating Force	180±50 gf
Actuation Life	Travel 0.15mm: 100,000 cycles Travel 0.25mm: 50,000 cycles
Actuator Strength	3 Kgf maximum
Travel	0.15±0.1 mm 0.25±0.1 mm
Packaging	Standard tape and reel packaging
Operating Temperature Range	-40°C to +85°C
Storage Temperature Range	-40°C to +85°C

Soldering Profile



Mechanical Specifications

Figure 1 –225AJ1...R(S)G Surface Mount J Bend Type1, With Ground Terminal

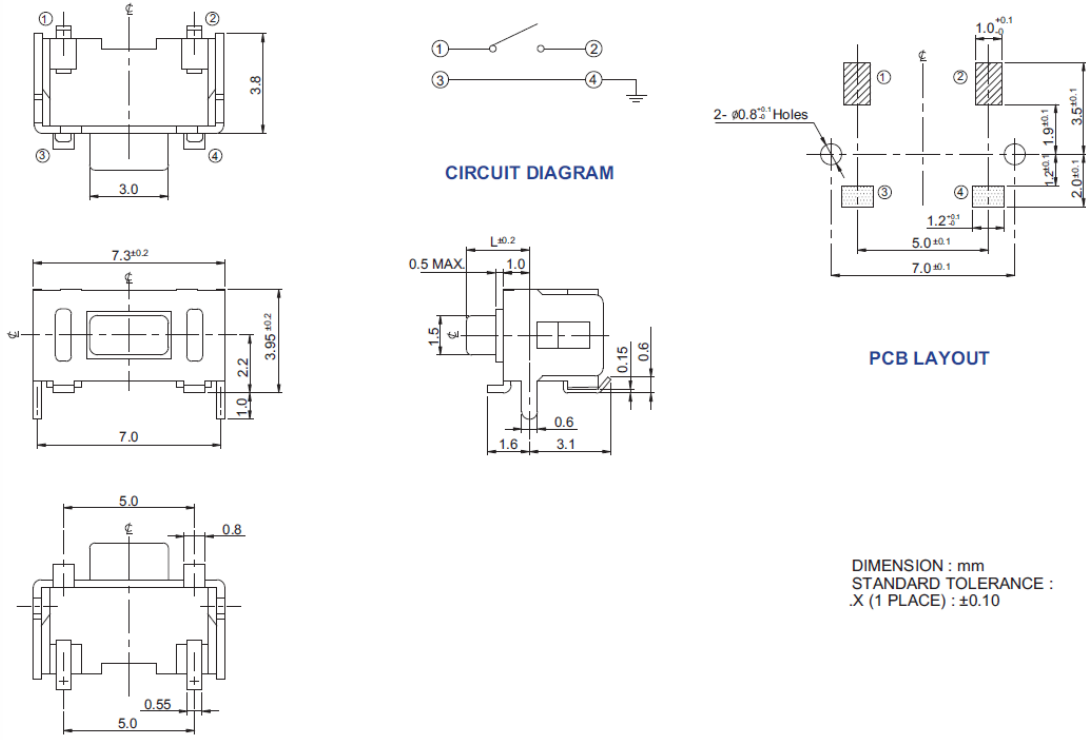
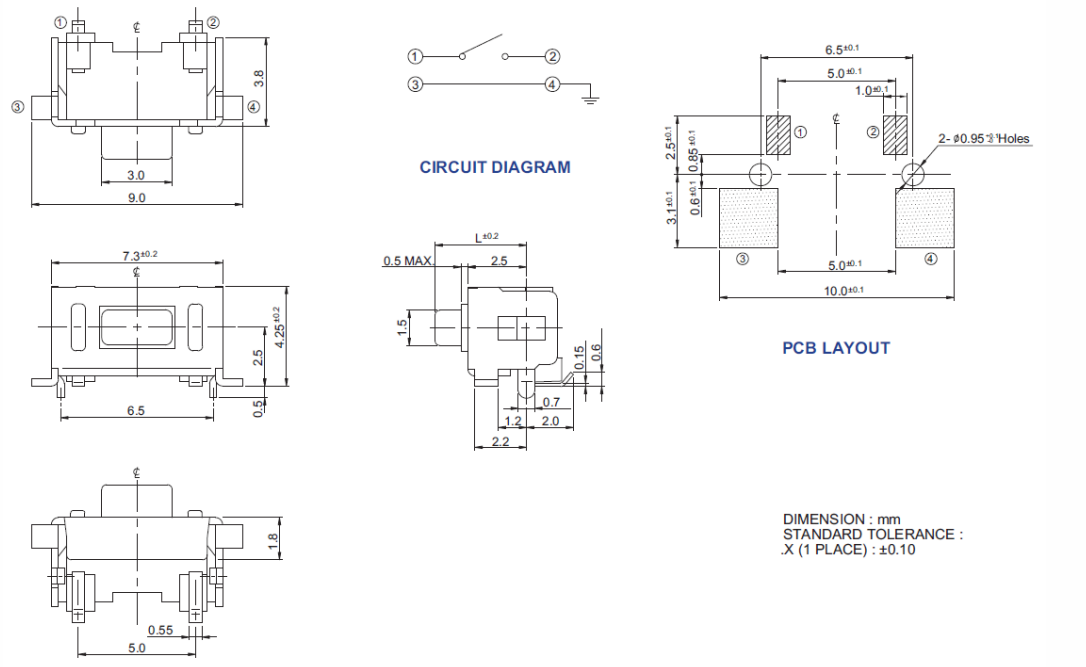


Figure 2 –225AJ2...R(S)G Surface Mount J Bend Type 2, With Ground Terminal

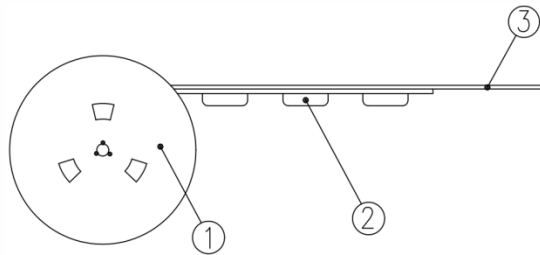


Packing: Tape and Reel

Surface Mount J Bend Type 1

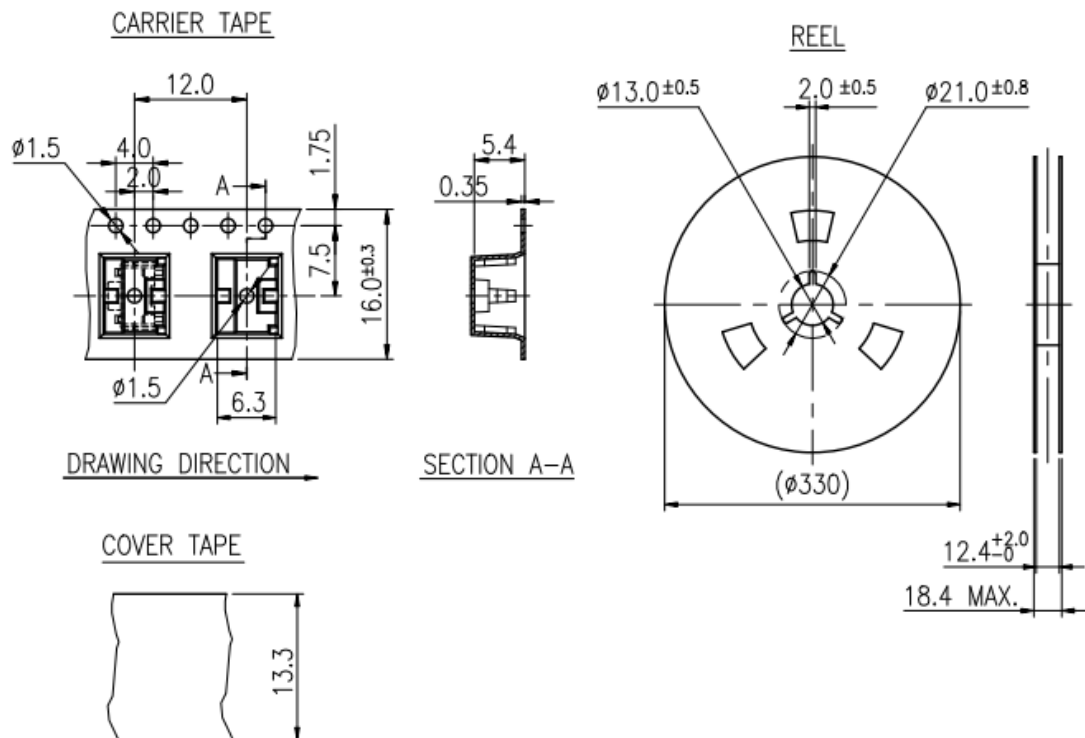
The packing specifications :

Structure and materials :



③	COVER TAPE	POLYESTER
②	CARRIER TAPE	POLYSTYRENE
①	REEL	POLYSTYRENE
NO.	PARTS NAME	MATERIALS

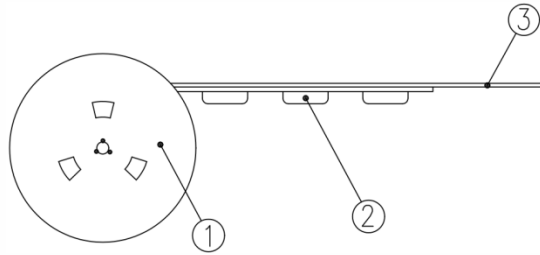
1. Packing quantity : 1,000 pcs/reel
2. More than 10 empty pockets should remain at each end of the carrier tape for each reel.
3. Shortage less than 10 pcs a reel is acceptable but no more than 3 consecutive empty pockets are allowed.
4. Stripping strength of cover tape is between 10 gf to 70 gf and stripping angle should be within 165°~180°.
5. The product in the pocket of carrier tape should be placed in a specified correct position.
6. Tape and reel per EIA-481
7. Dimensions :



Surface Mount J Bend Type 2

The packing specifications :

Structure and materials :



③	COVER TAPE	POLYESTER
②	CARRIER TAPE	POLYSTYRENE
①	REEL	POLYSTYRENE
NO.	PARTS NAME	MATERIALS

1. Packing quantity : 1,000 pcs/reel
2. More than 10 empty pockets should remain at each end of the carrier tape for each reel.
3. Shortage less than 10 pcs a reel is acceptable but more than 3 consecutive empty pockets are allowed.
4. Stripping strength of cover tape is between 10 gf to 70 gf and stripping angle should be within 165°~180°.
5. The product in the pocket of carrier tape should be placed in a specified correct position.
6. Tape and reel per EIA-481
7. Dimensions :

