

Features

- Less than 2 mm Board Height
- Low Insertion Loss
- Excellent rejection

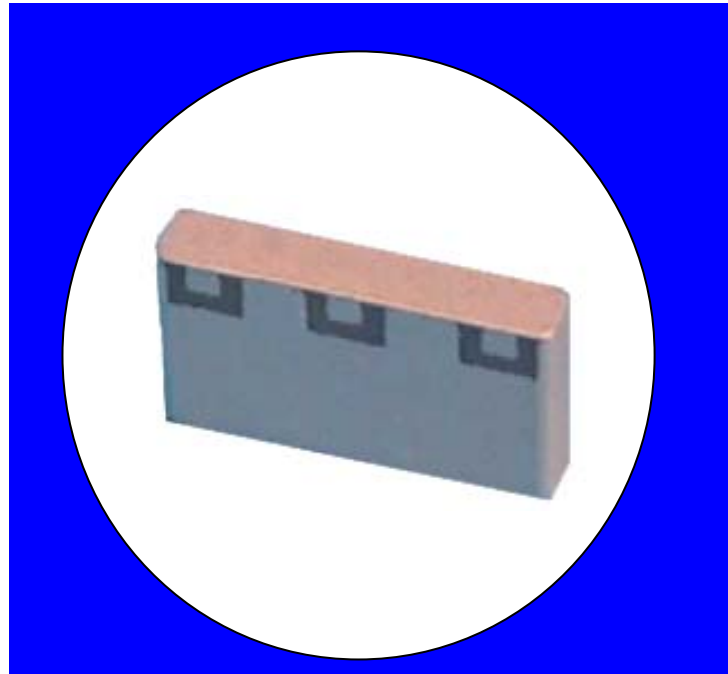
Description

Surface mount, silver (Ag) coated ceramic duplexer.

Weight: 0.46 grams typical

Material: Filter is composed of a Tin zirconate based ceramic block plated with Ag.

Filter complies with RoHS standards.



Electrical Specifications

Parameter	Frequency (MHz)	Typical @ 25°C	Specification @ 25°C	Spec. Over -40°C to +85°C
Low band to Antenna Response				
Passband Insertion Loss	1920-1980	-1.25	-1.50	-1.70
Passband Ripple	1920-1980	0.30	0.50	0.70
Passband Return Loss @ Low band	1920-1980	-15.00	-12.00	-12.00
Passband Return Loss @ ANT	1920-1980	-15.00	-12.00	-12.00
Attenuation:	2110-2170	-48.60	-45.00	-45.00
	2300-2360	-43.50	-40.00	-40.00
Antenna to High band Response				
Passband Insertion Loss	2110-2170	-1.70	-2.00	-2.20
Passband Ripple	2110-2170	0.30	0.50	0.70
Passband Return Loss @ High band	2110-2170	-12.40	-12.00	-12.00
Passband Return Loss @ ANT	2110-2170	-12.40	-12.00	-12.00
Attenuation:	1920-1980	-52.50	-50.00	-50.00
	2300-2360	-30.80	-25.00	-25.00
Low band to High band Response				
Rejection @ Low band	1920-1980	-52.00	-50.00	-50.00
Rejection @ High band	2110-2170	-48.00	-46.00	-46.00
Power into any port				2 W Max

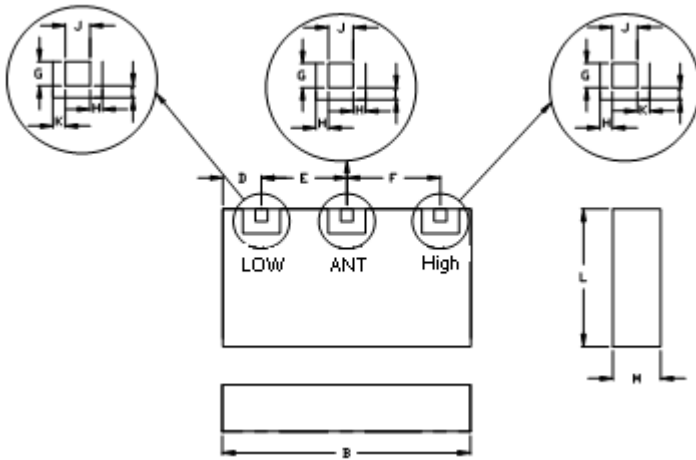
Note: Supplier shall test each filter to the critical electrical specifications of the above table. Any subsequent audits may deviate from in value due to measurement repeatability among different test systems. Such deviations shall not exceed the following limits:

Specification Allowance	
Insertion Loss	0.1 dB
Return Loss	1.0 dB
Stopbands	1.0 dB

*This product is covered by one or more of the following U.S. and foreign patents including: US 4,692,726;US 4,742,562; US 4,800,348;US 4,829,274;US 5,146,193;EP 0573597;DE 0573597;FR 0573597;JP 508149/92;KR 142171;US 5,162,760;US 5,218,329;US 5,250,916;US 5,327,109;US 5,488,335;CA 2114029;FR 9306297;GB 2273393;JP 3205337;KR 115113;CN 93106228.4;US 5,512,866;EP 0706719;DE 0706719;FR 0706719;GB 0706719;CN 95190359.4;US 5,602,518;US 5,721,520;US 5,745,018;EP 0910875;DE 0910875;DK 0910875;FR 0910875;GB 0910875;IE 0910875;JP 505182/98;KR 10-323013;US 5,994,978;US 6,462,629;CN 00810420.4;US 6,559,735;US 6,650,202;US 6,834,429. Other US and foreign patents pending.

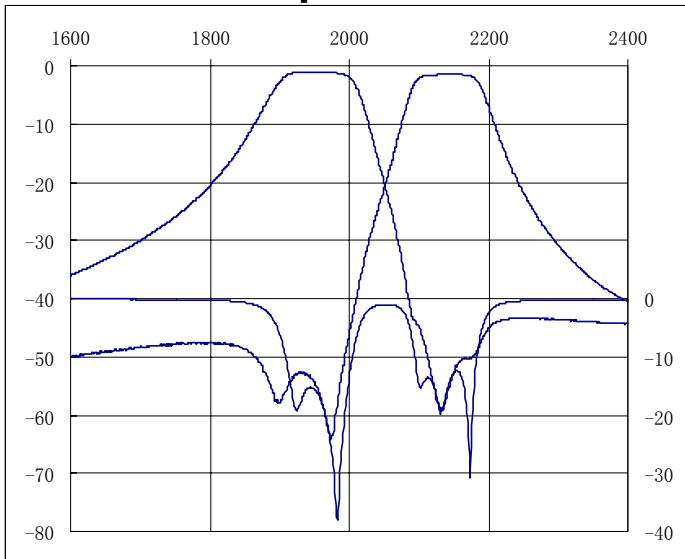
Mechanical Drawing

Preliminary D – Origin Date: March 5, 2010 – Revision Date: August 29, 2012

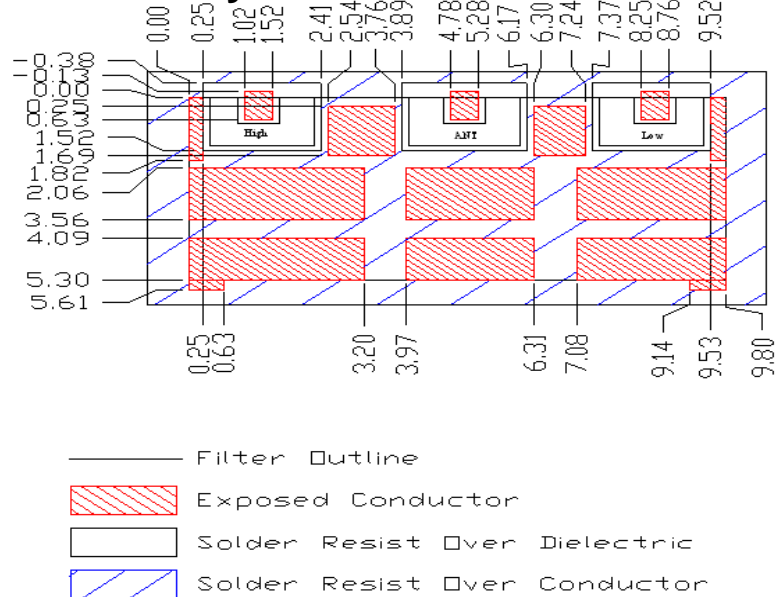


Dim	Nominal (mm)	Tolerance (mm) +/- or max
B	9.93	max
D	1.30	0.13
E	3.48	0.13
F	3.76	0.13
G	0.76	0.13
H	0.64	0.13
I	0.64	0.13
J	0.76	0.13
K	0.51	0.13
L	5.45	max
M	1.90	max

Electrical response



PCB Layout



Packaging and Marking

DIMENSION	UNITS	SPECIFICATION
REEL DIAMETER	mm	330
REEL WEIGHT	kg	1.73
REEL QUANTITY	ea.	1000

